

Product data sheet

Characteristics

XS230BLNAM12

Inductive proximity sensors XS, inductive sensor XS2 M30, L68mm, brass, Sn15mm, 12...24 VDC, M12



Product availability: Stock - Normally stocked in distribution facility

Price*: 37.10 USD



Main

| | |
|-------------------------------|---|
| Range of Product | Telemecanique Inductive proximity sensors XS |
| Series name | General purpose |
| Sensor Type | Inductive proximity sensor |
| Sensor name | XS2 |
| Sensor design | Cylindrical M30 |
| Size | 68 mm |
| Body type | Fixed |
| Enclosure Material | Nickel Plated Brass |
| Type of output signal | Discrete |
| Wiring Technique | 3-wire |
| [Sn] nominal sensing distance | 0.59 ln (15 mm) |
| Discrete output function | 1 NO |
| Discrete output type | NPN |
| Electrical connection | Male connector M12, 4 pins |
| [Us] rated supply voltage | 12...24 V DC reverse polarity protection |
| Switching capacity in mA | <= 200 mA overload and short-circuit protection |
| IP degree of protection | IP67 conforming to IEC 60529 |

Complementary

| | |
|------------------------------------|----------------------------|
| ISO thread | M30 x 1.5 |
| Detection face | Frontal |
| Detector flush mounting acceptance | Non flush mountable |
| Material | Metal |
| Front material | PBT |
| Operating zone | 0.00...0.47 ln (0...12 mm) |
| Differential travel | 1...15% of Sr |
| Output circuit type | DC |
| Status LED | Output state 1 LED yellow) |

| | |
|------------------------|------------------------|
| Supply voltage limits | 10...36 V DC |
| Switching frequency | <= 300 Hz |
| Maximum voltage drop | <2 V closed) |
| Current consumption | <= 10 mA no-load |
| Maximum delay first up | 15 Ms |
| Maximum delay response | 0.2 Ms |
| Maximum delay recovery | 1.4 Ms |
| Marking | CE |
| Threaded length | 1.34 In (34 mm) |
| Length | 2.68 In (68 mm) |
| Net Weight | 0.19 Lb(US) (0.085 kg) |

Environment

| | |
|---------------------------------------|---|
| Product Certifications | CSA UL |
| Ambient Air Temperature for Operation | -13...158 °F (-25...70 °C) |
| Ambient Air Temperature for Storage | -40...185 °F (-40...85 °C) |
| Vibration resistance | 25 gn +/- 2 mm 10...55 Hz)IEC 60068-2-6 |
| Shock resistance | 50 gn 11 ms IEC 60068-2-27 |

Ordering and shipping details

| | |
|-----------------------|-----------------------------------|
| Category | 22414 - SENSORS, INDUCTIVE, BASIC |
| Discount Schedule | DS2 |
| GTIN | 03389119003377 |
| Nbr. of units in pkg. | 1 |
| Package weight(Lbs) | 4.51 Oz (128 g) |
| Returnability | No |
| Country of origin | ID |

Packing Units

| | |
|------------------------|------------------|
| Unit Type of Package 1 | PCE |
| Package 1 Height | 1.65 In (4.2 cm) |
| Package 1 width | 2.56 In (6.5 cm) |
| Package 1 Length | 3.78 In (9.6 cm) |

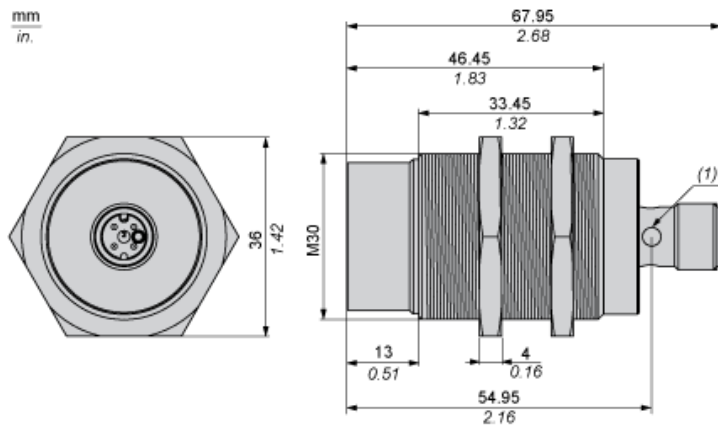
Offer Sustainability

| | |
|---------------------------|---|
| Sustainable offer status | Green Premium product |
| California proposition 65 | WARNING: This product can expose you to chemicals including: Diisononyl phthalate (DINP), which is known to the State of California to cause cancer, and Di-isodecyl phthalate (DIDP), which is known to the State of California to cause birth defects or other reproductive harm. For more information go to www.P65Warnings.ca.gov |
| REACH Regulation | REACH Declaration |
| EU RoHS Directive | Pro-active compliance (Product out of EU RoHS legal scope) EU RoHS Declaration |
| Environmental Disclosure | Product Environmental Profile |
| Circularity Profile | End Of Life Information |

Contractual warranty

| | |
|----------|-----------|
| Warranty | 18 months |
|----------|-----------|

Dimensions



(1) LED

Minimum Mounting Distances

Side by side



e (1) \geq 80 mm/2.36 in.

Face to face



e (2) \geq 80 mm/7.09 in.

Facing a metal object



e (3) \geq 45 mm/1.77 in.

Mounted in a metal support



d \geq 90 mm/3.54 in.

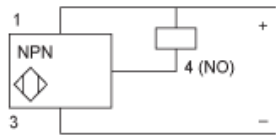
h \geq 30 mm/1.18 in.

Wiring Schemes

M12 connector



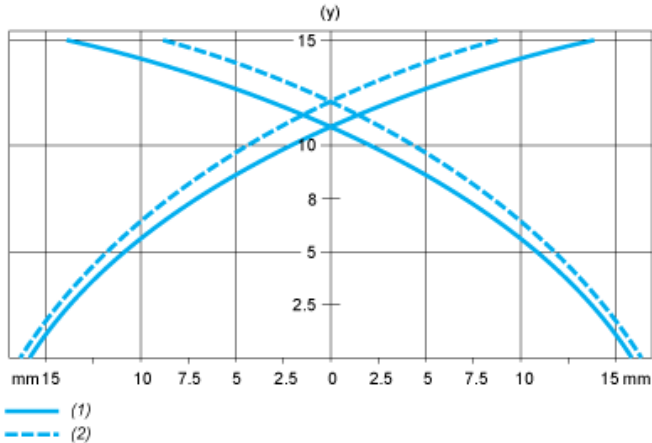
NPN



- 1 : (+)
- 2 : Not connected
- 3 : (-)
- 4 : NO Output

Performance Curves

Standard Steel Target : 45x45x1 mm



- (1) Pick-up points
- (2) Drop-out points (object approaching from the side)
- (y) Sensing distance in mm

Product Life Status : Commercialised